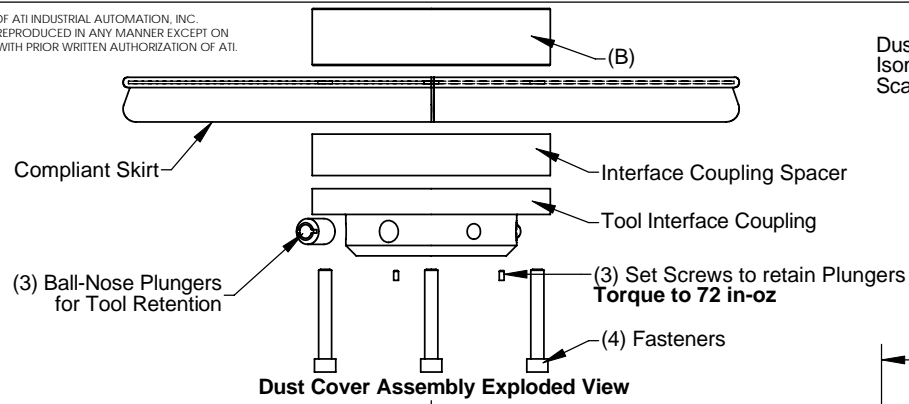
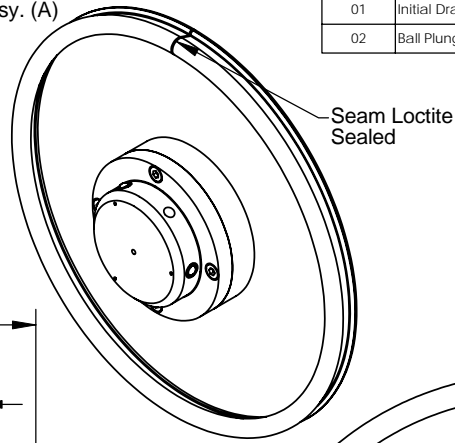


PROPERTY OF ATI INDUSTRIAL AUTOMATION, INC.  
 NOT TO BE REPRODUCED IN ANY MANNER EXCEPT ON  
 ORDER OR WITH PRIOR WRITTEN AUTHORIZATION OF ATI.

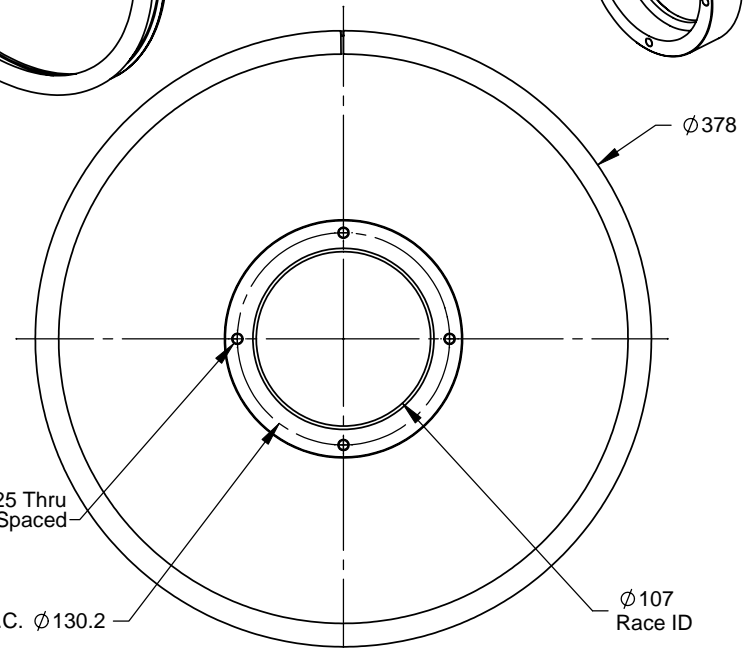
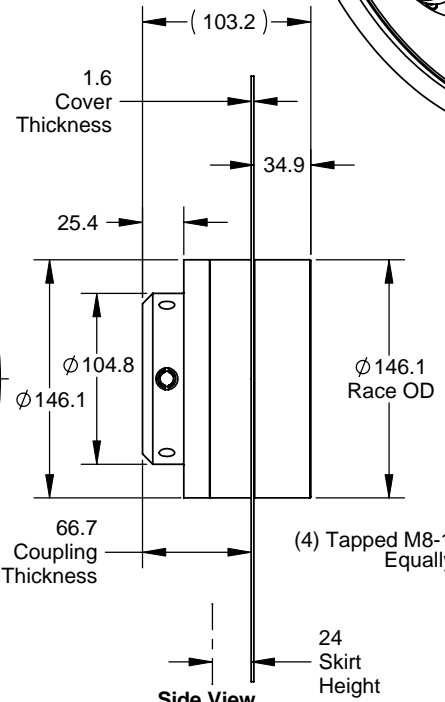
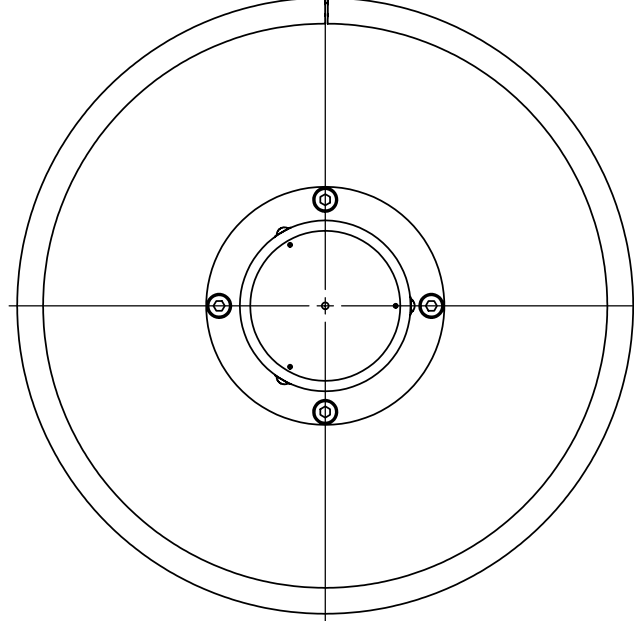
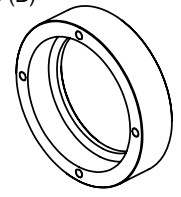
Rev.	Description	Initiator	Date
01	Initial Drawing	KLP	2/28/2006
02	Ball Plungers retained by Set Screws.	CF	4/30/2008



Dust Cover Assy. (A)  
 Isometric View  
 Scale 1:4



Al. Bearing Race (B)  
 Isometric View  
 Scale 1:4



Part Numbers:  
 (A) 200 Series Dust Cover Assy.: 9120-DC-201-2  
 (B) 200 Series Aluminum Bearing Race: 9120-DC-3266

- Notes:
- Materials of Construction:
    - A. Master Interface Race, Aluminum
    - B. Cover, Thin Gauge Stainless
    - C. Tool Interface Coupling, Delrin
    - D. Skirt, EPDM Rubber w/ Retention Clips
    - E. Ball-Nose Plungers Stainless Steel Case with Nylon Ball Tip
    - F. Set Screws, M3-0.5 x 6 mm, Flatpoint, Steel
  - Flexibility to interchange cover sizes and replace worn parts.

NOTES: UNLESS OTHERWISE SPECIFIED  
 DO NOT SCALE DRAWING. DRAWN IN SOLIDWORKS.  
 ALL DIMENSIONS ARE IN MILLIMETERS.



1031 Goodworth Drive, Apex, NC 27539, USA  
 Tel: +1.919.772.0115 Email: info@ati-ia.com  
 Fax: +1.919.772.8259 www.ati-ia.com  
 ISO 9001 Registered Company

DRAWN BY: K Potts 2/28/2006	TITLE: Dust Cover, Standalone, QC-200 Series w/PN2		
CHECKED BY: M Gala 4/30/2008	SCALE: 1:3	SIZE: B	DRAWING NUMBER: 9230-20-2372-02
WEIGHT LBS: 7.027	PRODUCT RELEASE # *****		
ASSEMBLY REF:	DATE:		SHEET 1 OF 1

